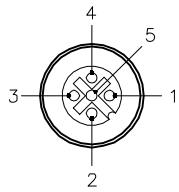
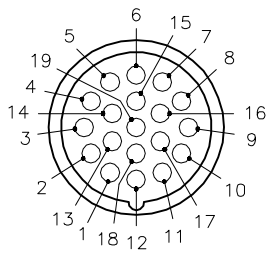


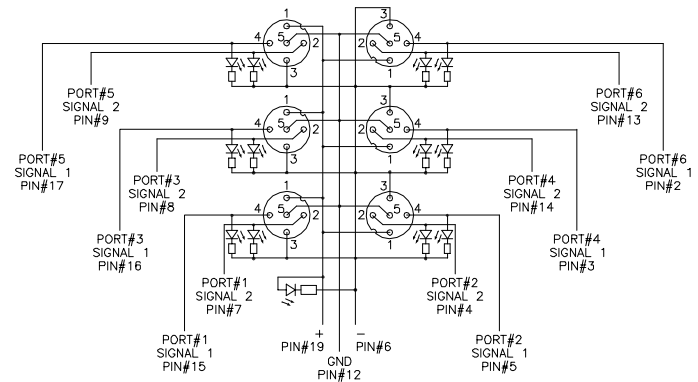
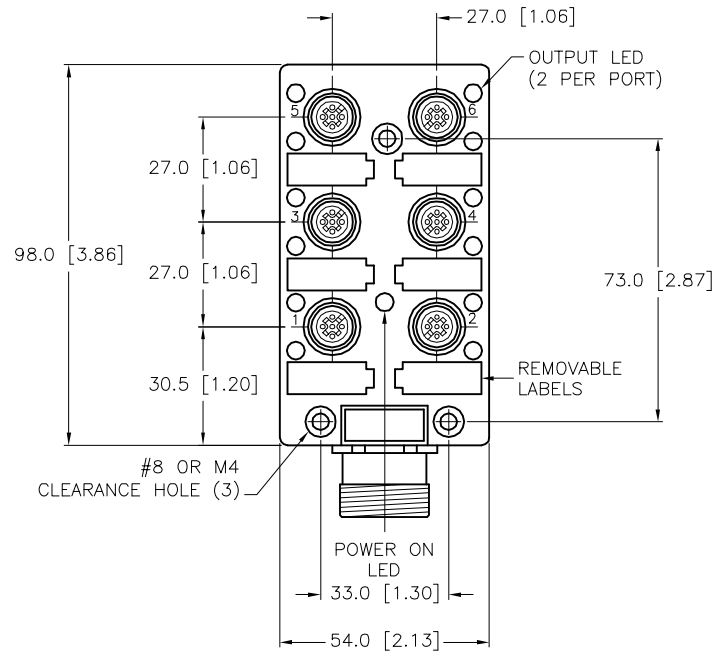
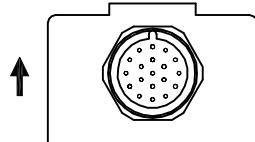


FEMALE END VIEW	MALE END VIEW	SPECIFICATIONS	
		CONNECTOR	CS 19 SERIES
 (J1-J6)	 M23 connector (P1)	MATING CORDSET	CK 19-15-*
		HOUSING MATERIAL	PA 6 GF 30 (NYLON)
		CONTACT CARRIER MATERIAL	TPU
		CONTACT MATERIAL/PLATING	COPPER ALLOY/GOLD
		RECEPTACLE MATERIAL/PLATING	BRASS/NICKEL
		SEALING RING MATERIAL	VITON O-RING
		OPERATING VOLTAGE	10-48 VDC
		MAXIMUM CURRENT	3 AMPS PER PORT, 9 AMPS TOTAL
		INSULATION CLASS	CLASS C to DIN VDE 0110
		LED FUNCTION	FOR PNP SENSOR OUTPUT
		PROTECTION CLASS to DIN 40050	IP 67 - ONLY WHEN ALL RECEPTACLES ARE COVERED WITH PLUGS OR CONNECTED
		OPERATING TEMPERATURE	-40°C to +90°C (-40°F to +194°F)

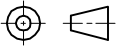


WIRING DIAGRAM



SOURCE DRAWING - FOR REFERENCE ONLY

- USE MATING CORDSET CK 19-15-* (SOLD SEPERATELY).
- HOUSING THICKNESS IS 33.0 mm.

RELATED DOCUMENTS 1. 2. 3. 4.	3RD ANGLE PROJECTION 	THIS DRAWING IS CONFIDENTIAL AND THE PROPERTY OF TURCK INC. USE OF THIS DOCUMENT WITHOUT WRITTEN PERMISSION IS PROHIBITED.		3000 CAMPUS DRIVE MINNEAPOLIS, MN 55441 1-800-544-7769 (763) 553-7300 (763) 553-0708 fax www.turck.us	
	MATERIAL	DRFT RJP	DATE 10/3/96	DESCRIPTION VB 60.5-P7X13-CS19	
FINISH	ALL DIMENSIONS DISPLAYED ON THIS DRAWING ARE FOR REFERENCE ONLY	APVD	SCALE 1=2.0	IDENTIFICATION NO. U0222-1	
F	UPDATED CLOSURE CAPS	UNIT OF MEASUREMENT MILLIMETER [INCH]		REV F	
REV	DESCRIPTION	BY	DATE	ECO NO.	DO NOT SCALE THIS DRAWING
					FILE: U0222-1
					SHEET 1 OF 1